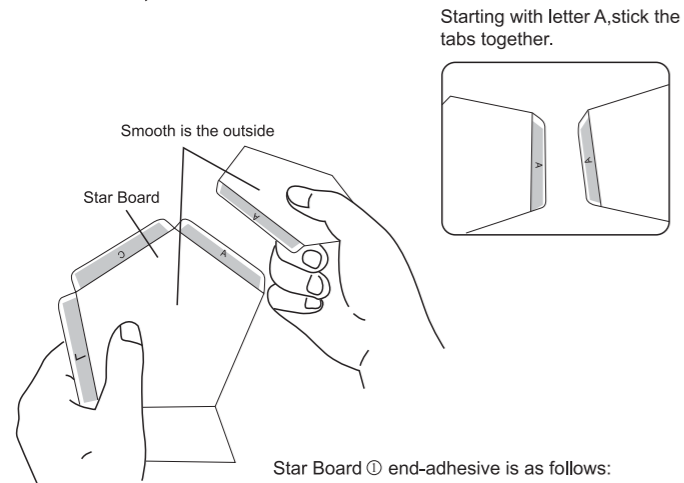


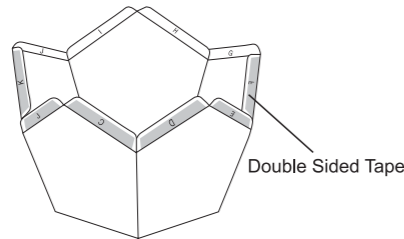


Astro Star

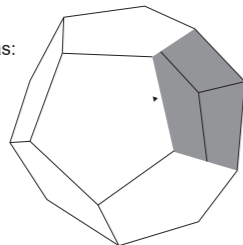
15 In alphabetical order stick Star Board A to A ,B to B



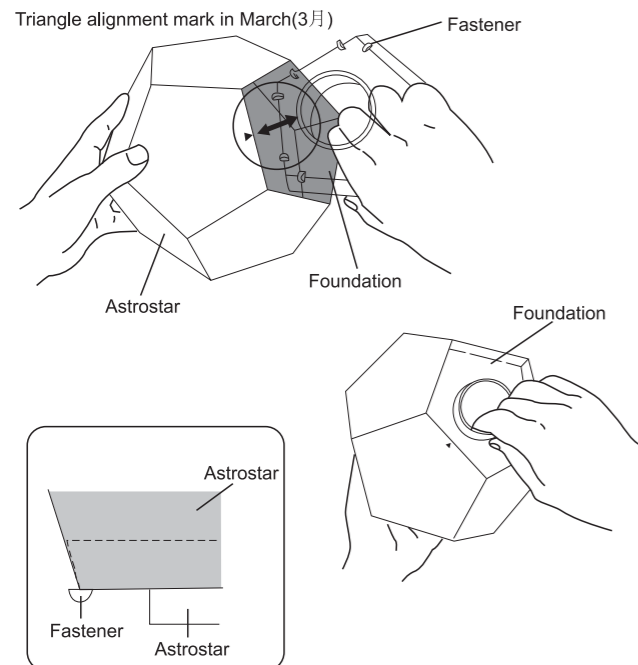
Star Board ① end-adhesive is as follows:



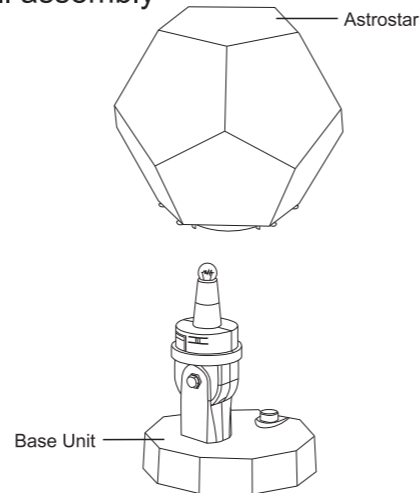
All the letters A-Q pasted as:



16 Install Astrostar and Foundation Attach the Astrostar to its base

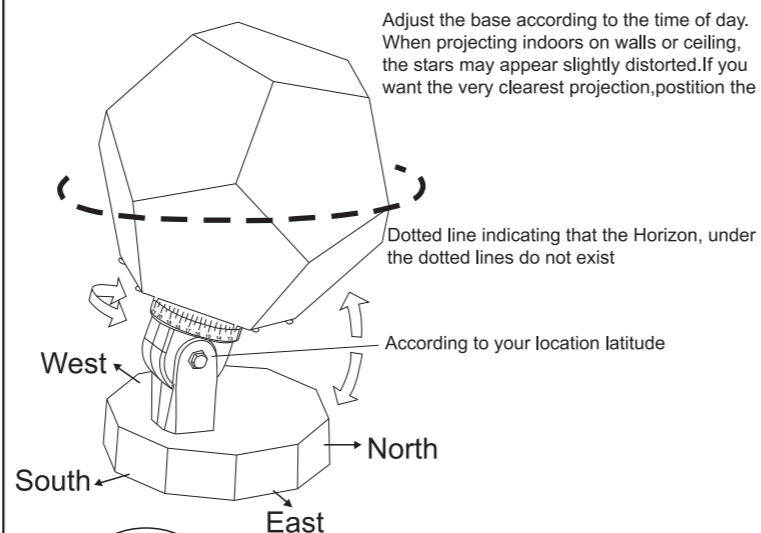


17 build up the ball assembly to the base



Bracket Assembly

18 To align the Astrostar to your location, for an accurate map of the sky, use a compass to find North, and then position it as shown



Q&A

Q: What should I do if the double-sided tape does not hold the tabs securely?

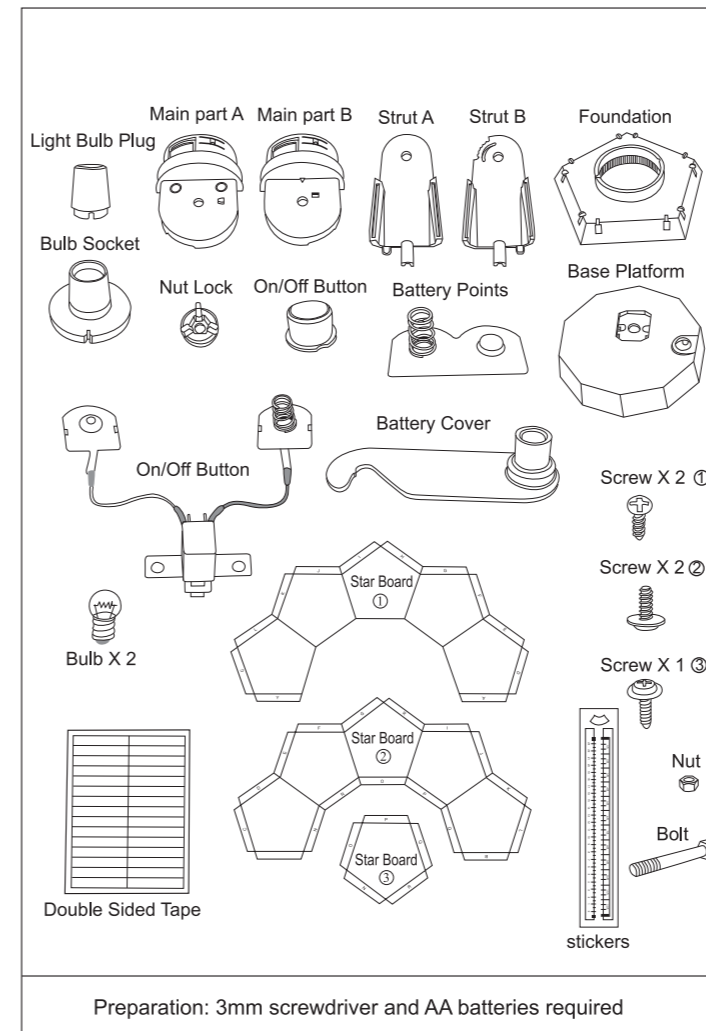
A: Try a different brand of tape, or alternatively use a stapler to attach the tabs.

Q: What should I do if the light bulb fails?

A: Replace it with a 2.5V 0.5A bulb (all good electrical goods shops should stock them).

"Project a map of the heavens onto your ceiling and walls... "

Set up your AstroStar by aligning it according to your location and the time of the year and it will project a map of the clear night's sky all around you.



Preparation: 3mm screwdriver and AA batteries required

NOTE

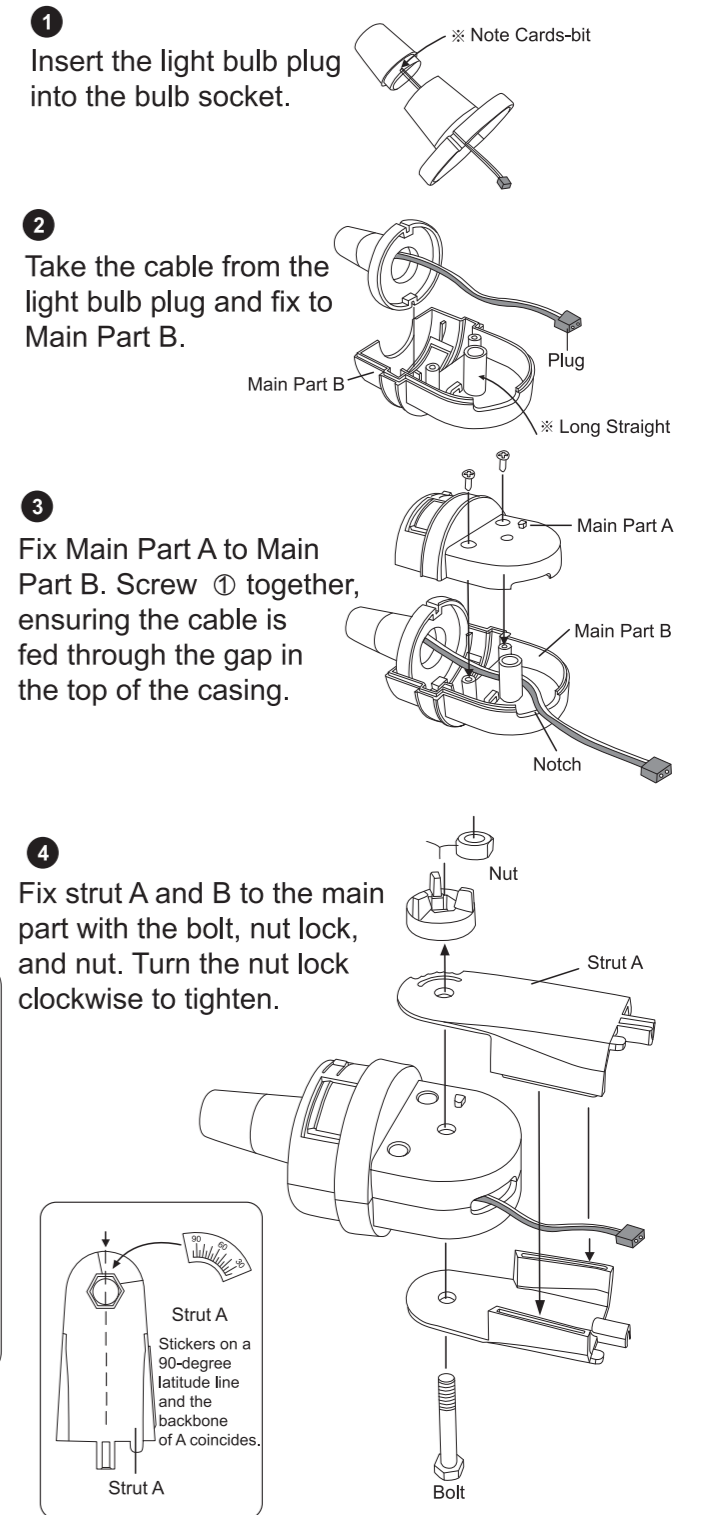
- Keep small parts away from children.
- Insert batteries correctly and ensure you read the instructions before use.
- Do not mix different kinds of battery.
- Use new batteries.
- Remove batteries if the Astrostar is not used for long periods.

Materials:

Star Board:PP
Main Body:HIPS

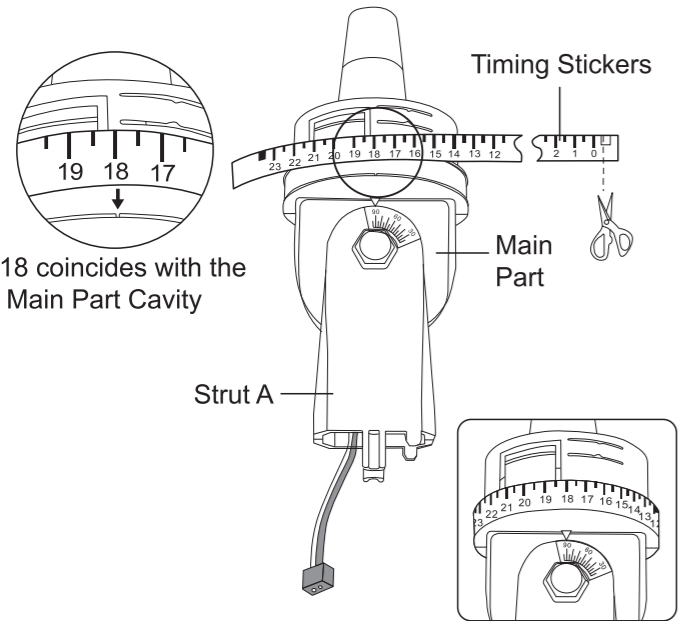
Made in China

Bracket Assembly

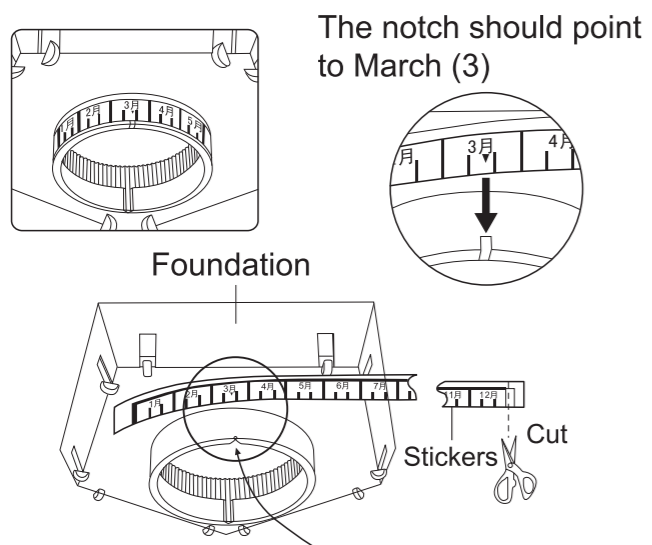


Applying Stickers

- 5 Ensure that the number 18 on the sticker points to the triangle on the casing.

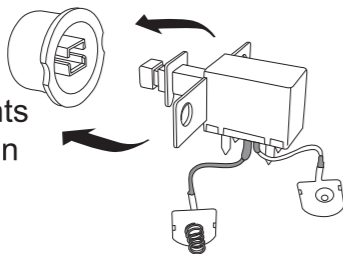


- 6 Carefully attach the stickers to the holder.

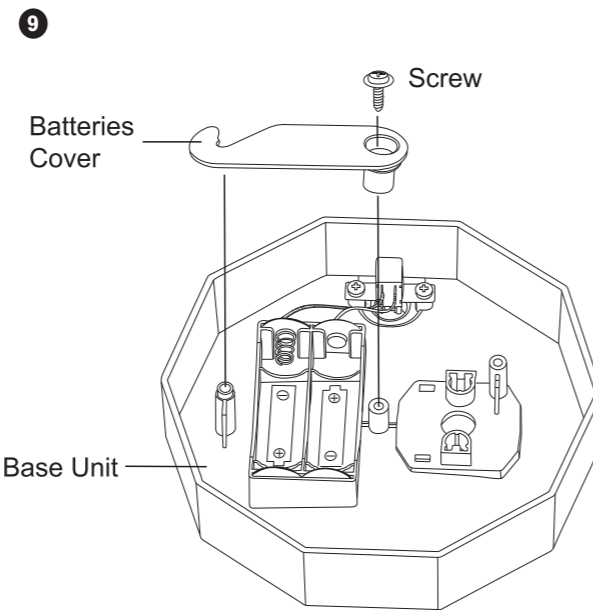
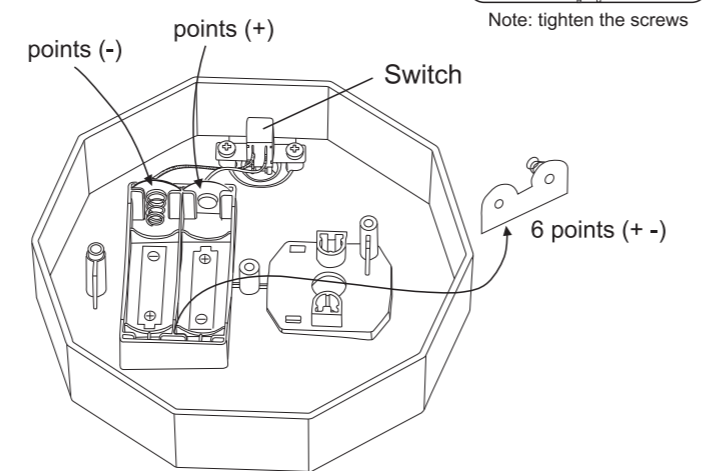


Attaching The Base Unit

- 7 Attach the on/off button to the red coloured switch. Note: The indents in the button should align with the screw holes.

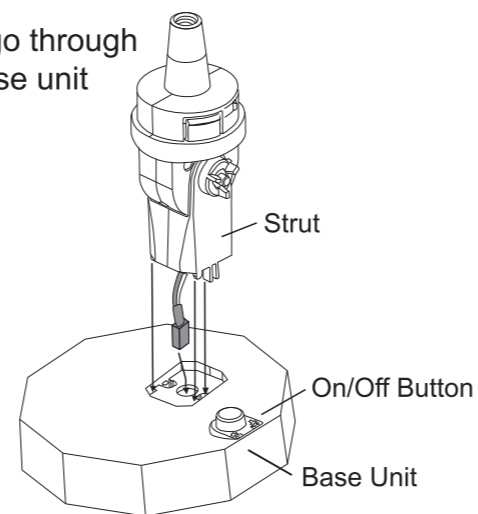


- 8 Feed the on/off switch through and fix the base platform with screws (2).

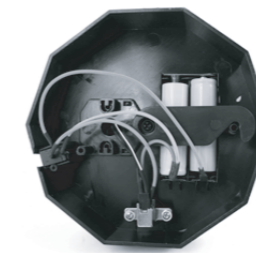
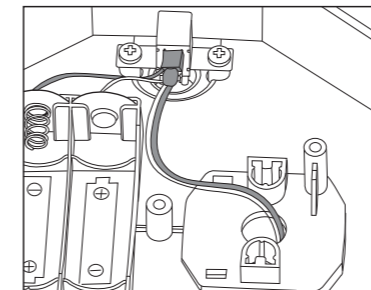
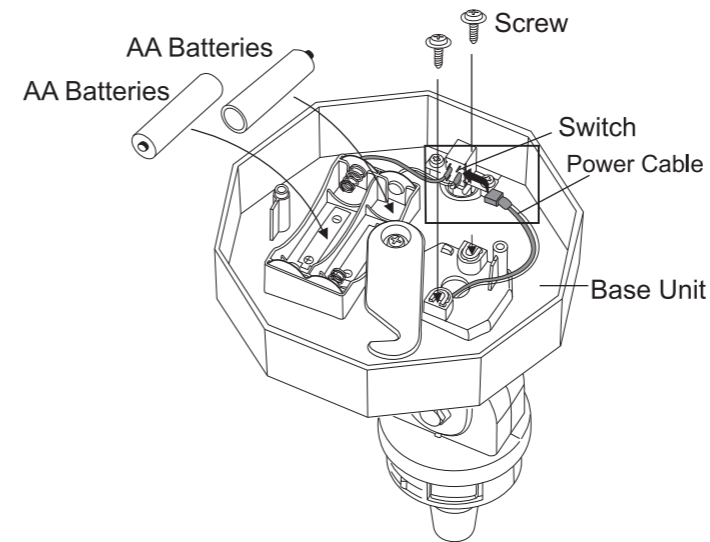


Attaching the Pedestal to the Base Unit

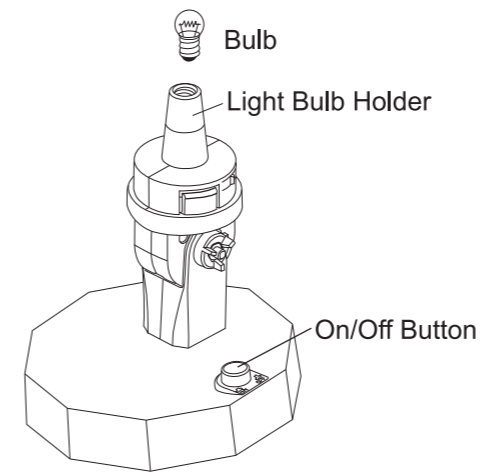
- 10 The plug should go through the hole in the base unit



- 11 Insert two AA batteries and replace the cover.

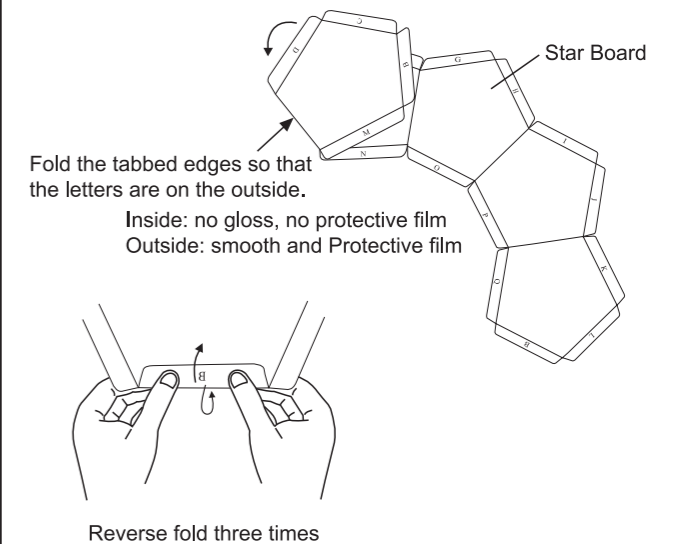


- 12 Insert the bulb into the bulb holder.

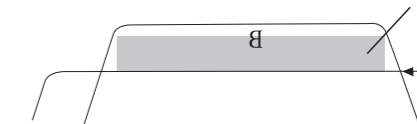


Install The Base Unit

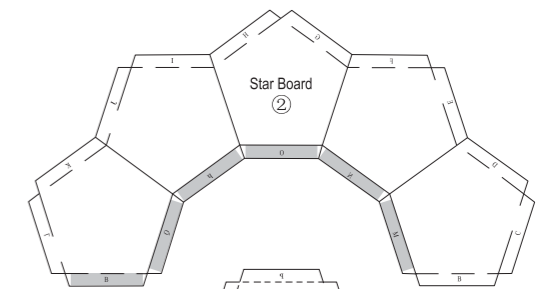
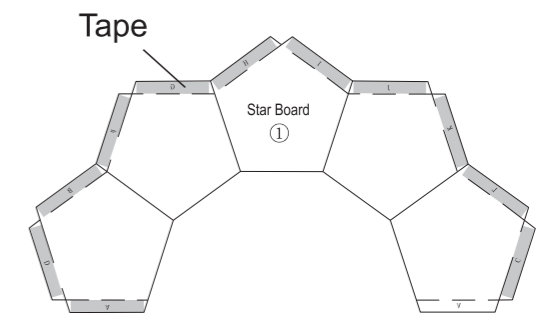
You may find it easier to remove the protective film from the star projection board first.



- 14 Tape alignment crease



Attach the tape to the letters as shown in the diagram.



Stick together the corresponding letters on the tabs. A to A, B to B etc.

Attach the assembled ball to its base.